

Data Sheet

Model OI-675 Electrochemical Sensor Assembly



DESCRIPTION

The Otis Instruments, Inc. Model OI-675 Electrochemical Sensor Assembly is a versatile system with the ability to detect of a variety of gases.

The OI-675 EC Sensor Assembly's key feature is magnetically triggered non-intrusive calibration. With all adjustments made at the assembly, one-man non-intrusive calibration is quick, easy, and allows the device to remain Class I, Division 1, Groups A, B, C and D certified while in the field.

The OI-675 incorporates any "4" Series EC Sensor and the OI-352 two-wire loop (4 to 20mA output) Amplifier Card.

An extended life-expectancy, paired with the ability to withstand extreme climatic conditions and harsh environments, make the OI-675 a flexible and dependable safety tool for gas detection.

FEATURES

- Non-instrusive calibration with MENU, ADD and SUB
- Glass lid for viewing amplifier display
- Reliable Electrochemical Sensor
- Explosion and weather proof Moore enclosure
- Rapid response and clearing time
- Rain/splash guard for sensor protection

PRODUCT PHOTO



SPECIFICATIONS

Power Input:	12-24 VDC
Sensor:	"4" Series Electrochemical
Enclosure:	Moore Explosion Proof
Certification:	CSA Certified Class I, Div. 1 Groups A, B, C & D
Operating Temp:	-20 to 50° C -4 to 122° F
Amp/Transmitter:	4 to 20mA output
Accuracy:	+/- 5% full-scale
Warranty:	Device: One year (lim.) Sensor: Two years (varies w/ sensor type)

Otis Instruments, Inc.
2200 E. Villa Maria Dr
Bryan, TX 77802

979.776.7700

Fax: 979.776.7719

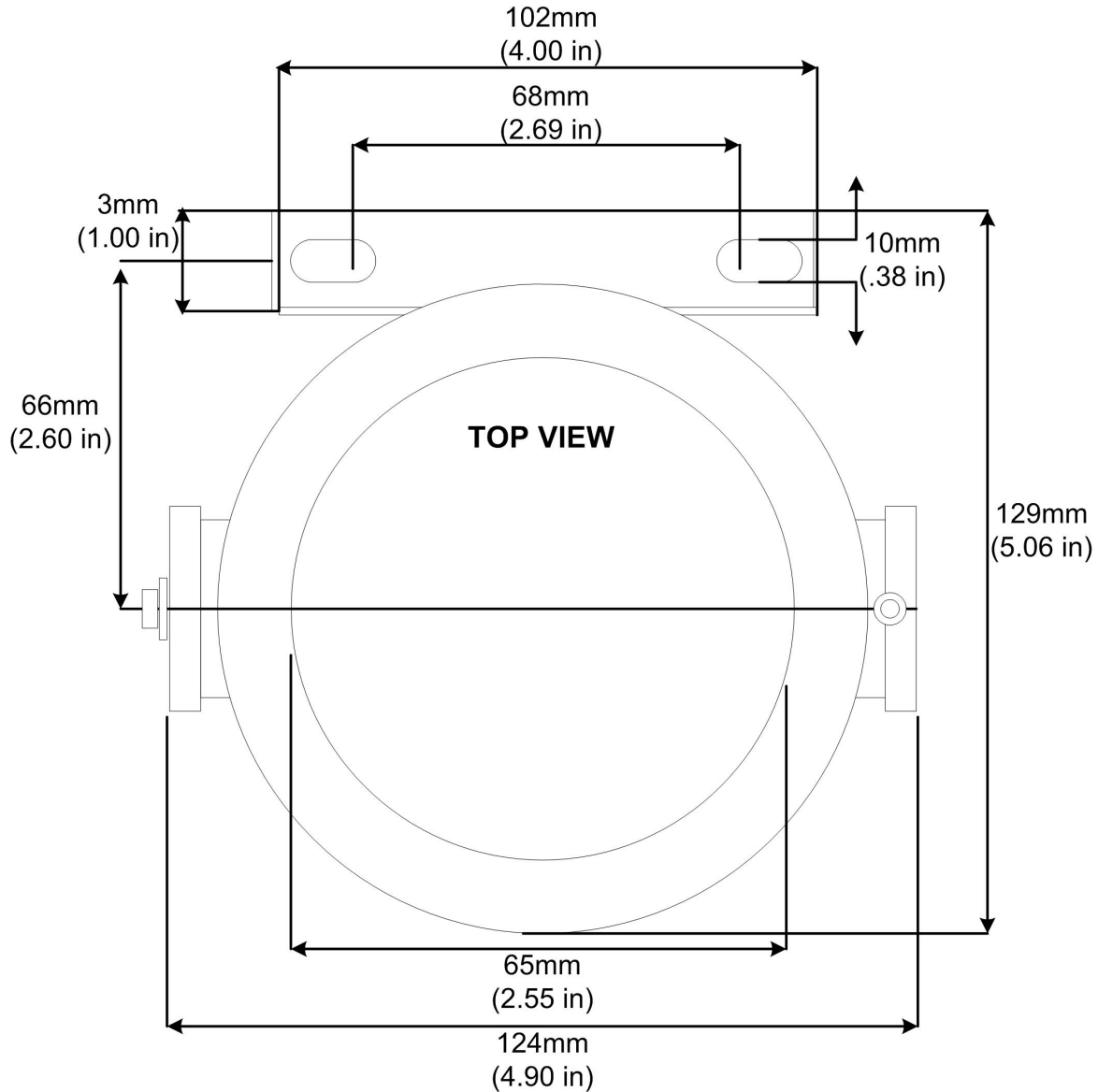
info@otisinstruments.com
www.otisinstruments.com

Data Sheet

Model OI-675 Electrochemical Sensor Assembly



DIMENSIONS



UNIT DEPTH

119mm
4.70 in.

Revision 1.1

Otis Instruments, Inc.
2200 E. Villa Maria Dr
Bryan, TX 77802

979.776.7700

Fax: 979.776.7719

info@otisinstruments.com
www.otisinstruments.com