

ITCS3020 Smart General Purpose Noryl Toroidal Conductivity Sensor



Reduce Maintenance Time and Increase Process Visibility

- Communicates directly via 4-20mA or Modbus output
- Configuration and calibration done with free web-based software

Resistant to Corrosion, Coating, and Fouling

- Noryl body has a wide solvent tolerance temperature stability
- Can be installed in both in-line and submersion applications

Wide Measurement Range

- Can measure conductivity from 0 - 2,000,000 uS

Specifications

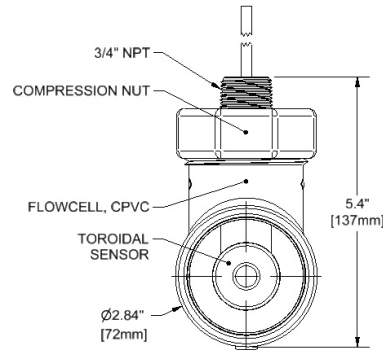
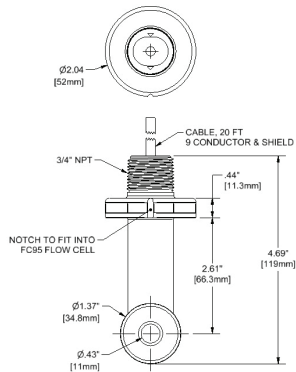
Temperature and Pressure Rating	105° C (221° F) and 150 psig
Measuring Range	See ordering matrix.
Body Materials	Noryl
Temperature Compensation	See ordering matrix.
Process Connection	Submersion: 3/4" MNPT In-line: 2" Slip Fitting for FC95C Flow Cell (sold separately)

DESIGNED IN CALIFORNIA

ASSEMBLED IN CALIFORNIA AND CZECH REPUBLIC

11751 MARKON DRIVE • GARDEN GROVE, CA 92841 • 714.895.4344 • WWW.SENSOREX.COM

© Sensorex Corporation. All rights reserved. In the interest of improving and updating its equipment, Sensorex reserves the right to alter specifications to equipment at any time.



MODEL # ITCS3020

Description

COMMUNICATION PROTOCOL

- Modbus Output, 12 VDC
- Modbus Output, 24 VDC
- Custom Modification (*customer-specified*)

MEASUREMENT RANGE

- Low Range (0 – 100,000 uS)
- High Range (0 – 2,000,000 uS)
- Custom Modification (*customer-specified*)

TEMPERATURE COMPENSATION

- PT1000RTD
- Custom Modification (*customer-specified*)

CABLE LENGTH

- 10 ft. (3m)
 - 20 ft. (6m)
 - 33 ft. (10m)
 - Custom Modification (*customer-specified*)
- Process 6 Conductor Cable with Shields

CABLE TERMINATION CONNECTOR

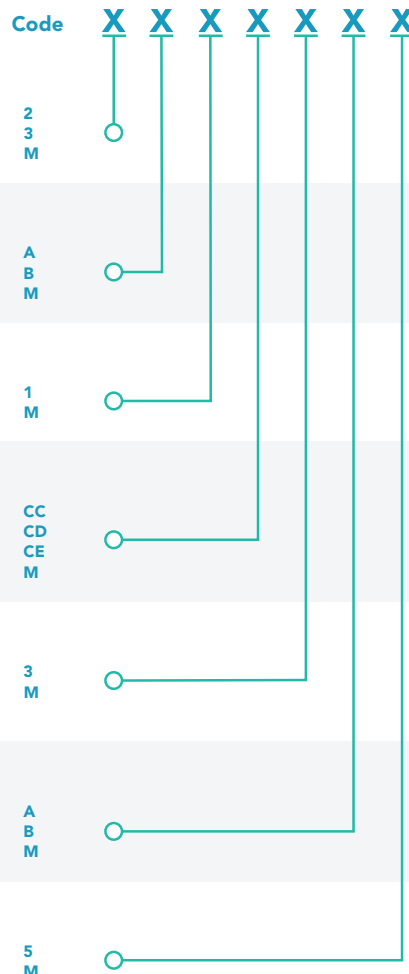
- Tinned Leads
- Custom Modification (*customer-specified*)

BRANDING

- Sensorex-Branded
- No Branding
- Custom Modification (*customer-specified*)

INSTALLATION / FITTING TYPE

- 3/4" MNPT and 2" Flange for FC95C (*sold separately*)
- Custom Modification (*customer-specified*)



For example, choosing "PT1000RTD" for Temperature Compensation would be **1**, "10 feet (3m)" for Cable Length would be **CC**, "Tinned Leads" under Cable Termination Connector would be **3**, "Sensorex-Branded" under Branding would be **A**, and "3/4" MNPT and 2" Slip Fitting" under Installation/Fitting Type would be **1**. The order code would then be **ITCS3020 - 1 - CC - 3 - A - 1**.

DESIGNED IN CALIFORNIA

ASSEMBLED IN CALIFORNIA AND CZECH REPUBLIC

11751 MARKON DRIVE • GARDEN GROVE, CA 92841 • 714.895.4344 • WWW.SENSOREX.COM

© Sensorex Corporation. All rights reserved. In the interest of improving and updating its equipment, Sensorex reserves the right to alter specifications to equipment at any time.