



**INSTRUMENTS**

**30-0951RK-IR Sample Draw  
Aspirator Adapter  
Operator's Manual**

*Part Number: 71-0018RK*

*Revision: P1*

*Released: 6/29/06*

[www.rkiinstruments.com](http://www.rkiinstruments.com)

# Product Warranty

RKI Instruments, Inc. warrants gas alarm equipment sold by us to be free from defects in materials, workmanship, and performance for a period of one year from the date of shipment from RKI Instruments, Inc. Any parts found defective within that period will be repaired or replaced, at our option, free of charge. Parts must be returned to RKI Instruments, Inc. for repair or replacement. This warranty does not apply to those items which by their nature are subject to deterioration or consumption in normal service, and which must be cleaned, repaired or replaced on a routine basis. Examples of such items are:

- |                               |                    |
|-------------------------------|--------------------|
| a) Pump diaphragms and valves | c) Batteries       |
| b) Fuses                      | d) Filter elements |

Warranty is voided by abuse including mechanical damage, alteration, rough handling, or repair procedures not in accordance with instruction manual. This warranty indicates the full extent of our liability, and we are not responsible for removal or replacement costs, local repair costs, transportation costs, or contingent expenses incurred without our prior approval.

*THIS WARRANTY IS EXPRESSLY IN LIEU OF ANY AND ALL OTHER WARRANTIES AND REPRESENTATIONS, EXPRESSED OR IMPLIED, AND ALL OTHER OBLIGATIONS OR LIABILITIES ON THE PART OF RKI INSTRUMENTS, INC. INCLUDING BUT NOT LIMITED TO, THE WARRANTY OF MERCHANTABILITY OR FITNESS FOR A PARTICULAR PURPOSE. IN NO EVENT SHALL RKI INSTRUMENTS, INC. BE LIABLE FOR INDIRECT, INCIDENTAL OR CONSEQUENTIAL LOSS OR DAMAGE OF ANY KIND CONNECTED WITH THE USE OF ITS PRODUCTS OR FAILURE OF ITS PRODUCTS TO FUNCTION OR OPERATE PROPERLY.*

This warranty covers instruments and parts sold to users only by authorized distributors, dealers and representatives as appointed by RKI Instruments, Inc.

We do not assume indemnification for any accident or damage caused by the operation of this gas monitor and our warranty is limited to the replacement of parts or our complete goods. Warranty covers parts and labor performed at RKI Instruments, Inc. only, and does not cover field labor or shipment of parts back to RKI.

---

## Overview

This manual describes the 30-0951RK-IR sample draw aspirator adapter. It also describes how to install and use the adapter. A spare parts list at the end of this manual lists replacement parts.

---

## Specifications

Table 1 lists specifications for the Sample Draw Aspirator Adapter.

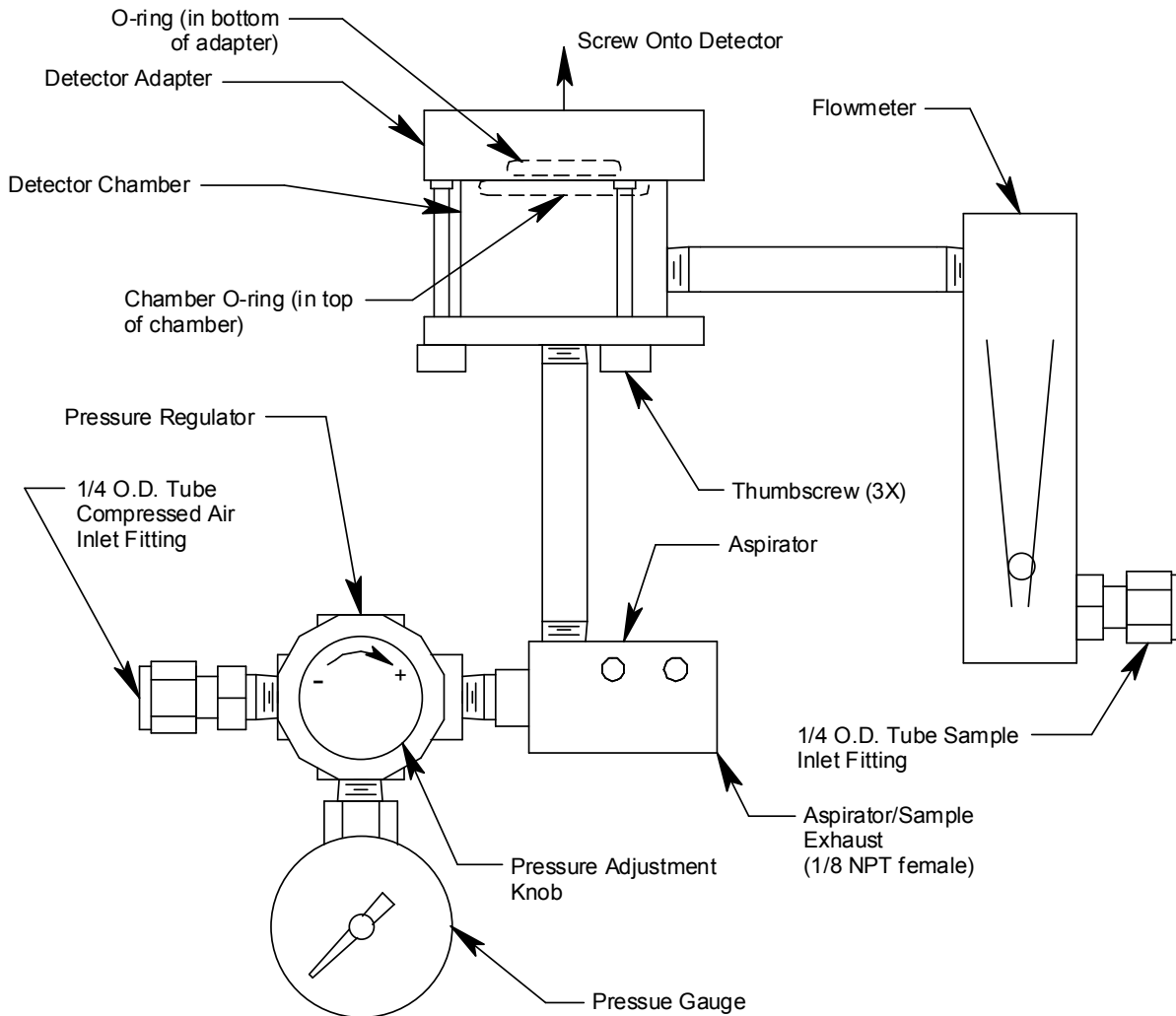
**Table 1: Specifications**

Applicable Sensors	<ul style="list-style-type: none"><li>• 61-0190RK-XX, 3/4" NPT infrared combustible detectors (-XX indicates target gas and range)</li><li>• 61-0191RK-XX, 3/4" NPT infrared CO<sub>2</sub> detectors (-XX indicates target gas)</li><li>• Consult RKI Instruments, Inc. for other detectors</li></ul>
Maximum Inlet Pressure	300 psi
Outlet Pressure to Aspirator	5 - 50 psi adjustable (determined by required flow rate)
Recommended Flow Rate	3 SCFH (standard cubic feet per hour)

---

## Description

The sample draw aspirator adapter uses compressed air flowing through a venturi to draw air into a sample chamber. The sample draw adapter screws directly onto the gas detector.



**Figure 1: Component Location**

The sample draw adapter consists of four major components (see Figure 1): the regulator, aspirator, detector adapter, detector chamber, and flowmeter.

### Regulator

The regulator has an inlet port on its left side with a 1/4" tube fitting. The maximum allowable inlet pressure is 300 psi. A gauge at the bottom of the regulator indicates the output pressure. The output pressure, and detector flow, can be adjusted using the knob on the front of the regulator. The detector flow rises or falls as the output pressure is increased or decreased.

### Aspirator

The aspirator inlet is connected to the output port on the right side of the regulator and the vacuum port on top is connected to the detector chamber. It has a venturi tube inside it which generates a

vacuum at its top port when compressed air flows through it. The compressed air and the air drawn from the detector chamber into the top port of the aspirator both exhaust at the right side of the aspirator.

### Detector Adapter

The detector adapter screws directly onto the IR detector. It is installed hand tight. It has an o-ring inside it which seals against the detector. When removing this adapter to change the detector, be sure not to lose this o-ring.

### Detector Chamber

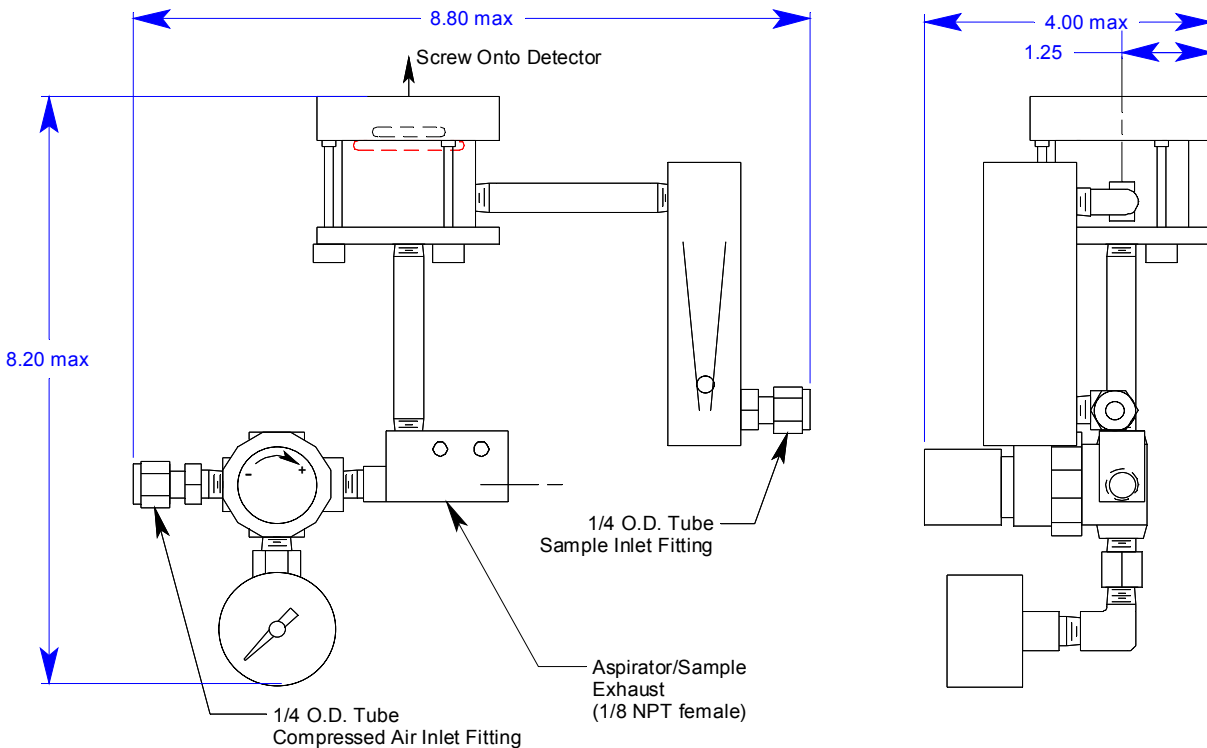
The chamber has three thumbscrews which fasten it to the detector adapter. An o-ring at the top of the chamber seals the chamber/adapter interface. The inlet of the chamber is on the right side and is connected to the exhaust of the flowmeter. The exhaust of the chamber is at the bottom and is connected to the vacuum port of the aspirator.

### Flowmeter

The flowmeter indicates the flow to the detector. It has a 1/4" tube fitting at its inlet port and its exhaust port is connected to the detector chamber. The flowmeter's indication range is 1 - 10 SCFH. It has no flow adjustment valve because the flowrate is controlled by the regulator.

---

## Installation



**Figure 2: Outline & Mounting Dimensions**

1. Install and startup the detector head as described in the detector head operator's manual. Make sure there is sufficient room between the detector and the mounting surface to install the sample draw adapter.

2. The sample draw adapter is normally shipped installed to the detector. If not, screw the detector adapter onto the detector tightening firmly by hand and then attach the chamber (with the regulator, aspirator and flowmeter attached) onto the detector adapter with the three captive thumbscrews.

---

*CAUTION: Make sure the detector adapter is installed tightly and after installation is complete verify that the detector adapter is still tightened firmly onto the detector to avoid possible leaks.*

---

3. Connect a sample line from the area to be sampled to the inlet fitting on the flowmeter. The fitting accepts 1/4" OD rigid metal tubing such as copper, aluminum or stainless steel tubing.
4. The aspirator exhaust includes the sample air. It may be routed to a different area where it can be exhausted safely by installing a tube fitting in the exhaust port of the aspirator and running tubing to the "safe" area from this port. The port has 1/8 NPT female threads.
5. Turn the regulator adjustment knob completely counterclockwise and then turn it one turn clockwise so that the flow will start out at a low level when the compressed air is connected and turned on.
6. Connect a compressed air source up to a maximum of 300 psi to the inlet of the regulator. The regulator is only rated up to 300 PSI inlet pressure. Adjust the regulator adjustment knob so that the flowmeter indicates 3 SCFH. The regulator exhaust pressure indicated by the regulator gauge will vary for a particular flow depending on the length of the sample line and other restrictions such as filters. Typically the pressure will be between 5 and 10 psi for short sample runs. It will be higher for longer sample runs and if filters are used.
7. Calibrate the detector head as described below.

---

**NOTE:** Calibrate the detector head with the sample draw adapter installed to insure an accurate reading.

---

---

## **Calibration**

1. Follow the instructions in the detector head operator's manual for setting the zero reading and making span adjustments.
2. When introducing gas to the detector, fill a gas sample bag with a regulator or dispensing valve. See "Parts List" on page 7 for available parts.
3. Connect the sample bag tubing to the inlet of the flowmeter.
4. Allow the sample draw adapter to draw sample for 2 minutes and then make any calibration adjustments necessary.
5. Disconnect the sample bag from the flowmeter inlet.

---

## Parts List

Table 2 lists replacement parts and accessories for the sample draw adapter.

**Table 2: Parts List**

<b>Part Number</b>	<b>Description</b>
06-1248RK	Tubing, 3/16 x 5/16, polyurethane, for calibration kit
07-7218RK	O-ring, .734 x .139, buna, for detector adapter
07-7225RK	O-ring, 1.243 ID x .139, buna, for detector chamber
13-1070RK	Captive panel screw, 10-32 x 1.75
81-0004RK	Gas cylinder, 50% LEL propane in air, 17 liter, steel
81-0004RK-01	Gas cylinder, 50% LEL propane in air, 34 liter, steel
81-0004RK-03	Gas cylinder, 50% LEL propane in air, 103 liter, steel
81-0012RK	Gas cylinder, 50% LEL methane in air, 17 liter, steel
81-0012RK-1	Gas cylinder, 50% LEL methane in air, 34 liter, steel
81-0012RK-03	Gas cylinder, 50% LEL methane in air, 103 liter, steel
81-0072RK	Gas cylinder, 2.5% CO <sub>2</sub> in nitrogen, 17 liter, steel
81-0072RK-01	Gas cylinder, 2.5% CO <sub>2</sub> in nitrogen, 34 liter, steel
81-0072RK-03	Gas cylinder, 2.5% CO <sub>2</sub> in nitrogen, 103 liter, steel
81-1001RK	Dispensing valve, for 17 liter and 34 liter steel cylinders
81-1051RK-60	Regulator with gauge and knob, 6 LPM, for 103 liter steel cylinder
81-1127RK	Gas bag with fittings and hosebarb, 12 inches x 12 inches, 5 liters, tedlar