



# Continuous monitoring for HCFC's and IPA **INFRARED SINGLE GAS MONITOR**

**MODEL RI-255**



## Features

- Compact & light weight (Approx. 4.2kg/9.27lbs.)
- Easy to install
- Negligible interference from other gases
- Easy to read digital display

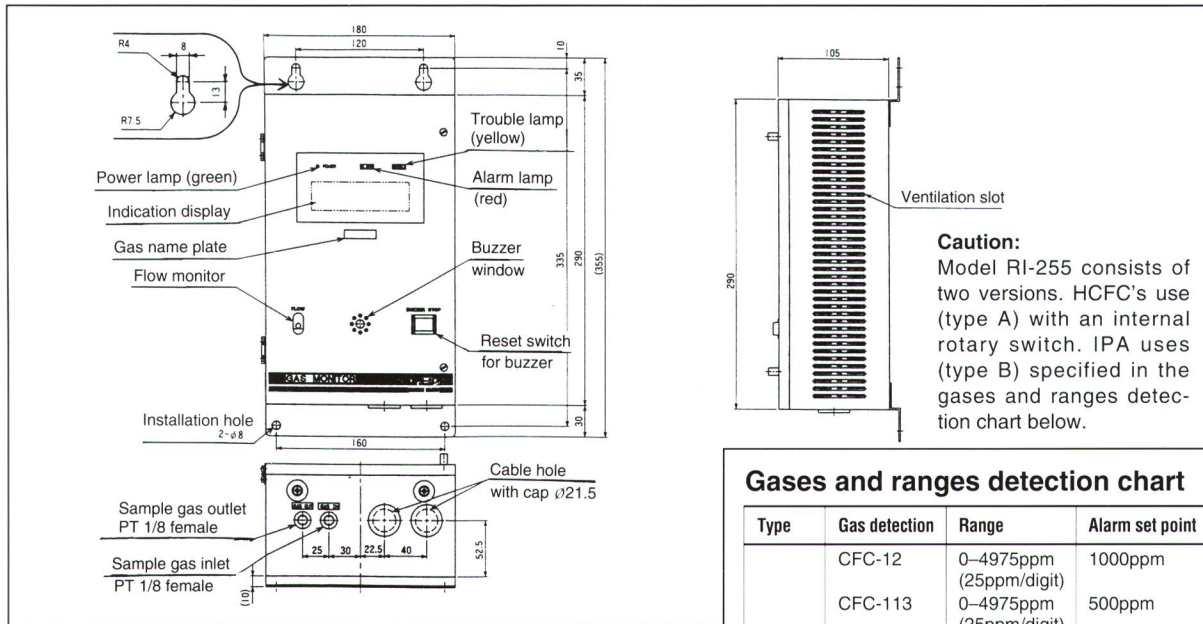
## Applications

- Cleaning processes
- Cold-storage plants
- Drying rooms
- Refrigerators



**RKI INSTRUMENTS, INC.**

## Component designation for RI-255



**Caution:**  
Model RI-255 consists of two versions. HCFC's use (type A) with an internal rotary switch. IPA uses (type B) specified in the gases and ranges detection chart below.

## Gases and ranges detection chart

| Type | Gas detection | Range                      | Alarm set point            |
|------|---------------|----------------------------|----------------------------|
| A    | CFC-12        | 0-4975ppm<br>(25ppm/digit) | 1000ppm                    |
|      | CFC-113       | 0-4975ppm<br>(25ppm/digit) | 500ppm                     |
|      | CFC-114       | 0-4975ppm<br>(25ppm/digit) | 1000ppm                    |
|      | HFC-23        | 0-9950ppm<br>(50ppm/digit) | 1000ppm                    |
|      | HFC-32        | 0-9950ppm<br>(50ppm/digit) |                            |
|      | HFC-134a      | 0-4975ppm<br>(25ppm/digit) | 1000ppm                    |
|      | HFC-152a      | 0-9950ppm<br>(50ppm/digit) | 1000ppm                    |
|      | HCFC-22       | 0-4975ppm<br>(25ppm/digit) | 1000ppm                    |
|      | HCFC-123      | 0-4975ppm<br>(25ppm/digit) | 1000ppm                    |
|      | HCFC-141b     | 0-9950ppm<br>(50ppm/digit) | 2000ppm                    |
|      | HCFC-142b     | 0-4975ppm<br>(50ppm/digit) | 1000ppm                    |
|      | R-502         | 0-4975ppm<br>(25ppm/digit) | 1000ppm                    |
|      | R-503         | 0-4975ppm<br>(25ppm/digit) | 1000ppm                    |
|      | B             | Iso-propyl alcohol         | 0-9950ppm<br>(50ppm/digit) |

\*Please specify either Type A (HCFC's version) or Type B (IPA version) when ordering.

| Standard accessories              | Optional accessories               |
|-----------------------------------|------------------------------------|
| (1) Dust filter.....1 pce         | (a) Gas sampling bag               |
| (2) Fuse (2A).....1 pce           | (b) Calibration adapter            |
| (3) Instruction manual ...1 pce   | (c) Spare dust filter (inside use) |
| (4) Test certificate ..... 1 copy | (d) External filter                |

## Specifications for model RI-255

| Detection principle                | Non-dispersive infrared absorption (NDIR)  |
|------------------------------------|--|
| Detection gas and ranges           | Refer to chart at right (factory-set).<br>Type A: Calibrated by HFC-134a (std.)<br>Type B: Calibrated by Iso-propyl alcohol. |
| Sampling method                    | Motor-driven diaphragm pump  |
| Display method                     | Digital LCD display (4 digits)   |
| Alarm settings                     | Adjustable   |
| Alarm indication                   | Gas alarm: Flashing red light and buzzer<br>Trouble alarm: Flashing yellow light and buzzer                                  |
| Alarm contact point                | Gas alarm: 1a (No voltage) Latching<br>Trouble alarm: 1a (No voltage) Non-latching   |
| Capacity of alarm contact point    | AC100V, 0.5A (max) / DC30V, 1.5A (max)   |
| External output                    | 4-20mA DC (0-1V DC optional)   |
| Power supply                       | AC100V, AC117V, or AC220V ±10%, 50/60Hz  |
| Power consumption                  | Approx. 13VA   |
| Operating temperature and humidity | 0-40°C (32°F-104°F), Less than 90% R.H. non-condensing   |
| Outer dimensions & weight          | 180(W) × 355(H) × 117(D)mm, Approx. 4.2kg<br>7.1(W) × 13.9(H) × 4.5(D)inch, 9.27lbs.   |
| Housing                            | Wall mounting, Non-explosion proof   |

Specifications subject to change without notice

## ● Distributed By:



A9812



ISO 9001:2000

33248 Central Avenue Union City, CA 94587  
Toll Free: (800) 754-5165 • Phone: (510) 441-5656 • Fax: (510) 441-5650  
mail4rki@rkiinstruments.com • www.rkiinstruments.com