



Product Specifications

Model: WH Series Work Hoist

The Pelsue WH Series Work Hoist is designed to be an equipment hoisting and lowering device. This specification sheet applies to the Model #WH07C and the Model #WH07R. Below is a table of the available Pelsue Work Hoist Models and information on their included cable/rope size. The standard end fitting included on all rope or cable assemblies is a swiveling double-locking snap hook, but alternate end fittings are available upon request. The WH Series Work Hoist is equipped with a standard Pelsue Quick-Release bracket (#501073-001). Other adapter brackets can be supplied or added upon request. ! The WH Series Work Hoists are for the lifting of equipment only, at no time should personnel be attached to the hoist cable/rope! ! The WH Series Work Hoist is not to be used for lifting loads over areas where people are present!

<u>Model #</u>	<u>Length & Type of Hoist Line</u>
WH07C	70' of 3/16" Stainless Wire Rope
WH07R	70' of 3/16" "Technora" Synthetic Rope

Load Capacity:

Pelsue WH Series Work Hoists are designed and tested as Mechanical Lifting Device for equipment Only.

Load Capacity..... 700 LBS. (317 KG)

Gear Ratio..... 5 to 1

Rope & Cable Assemblies:

3/16" Stainless Steel Wire Rope:

Minimum Breaking

Strength..... 3500 LBS. (1587 KG)

3/16" "Technora" Synthetic Rope:

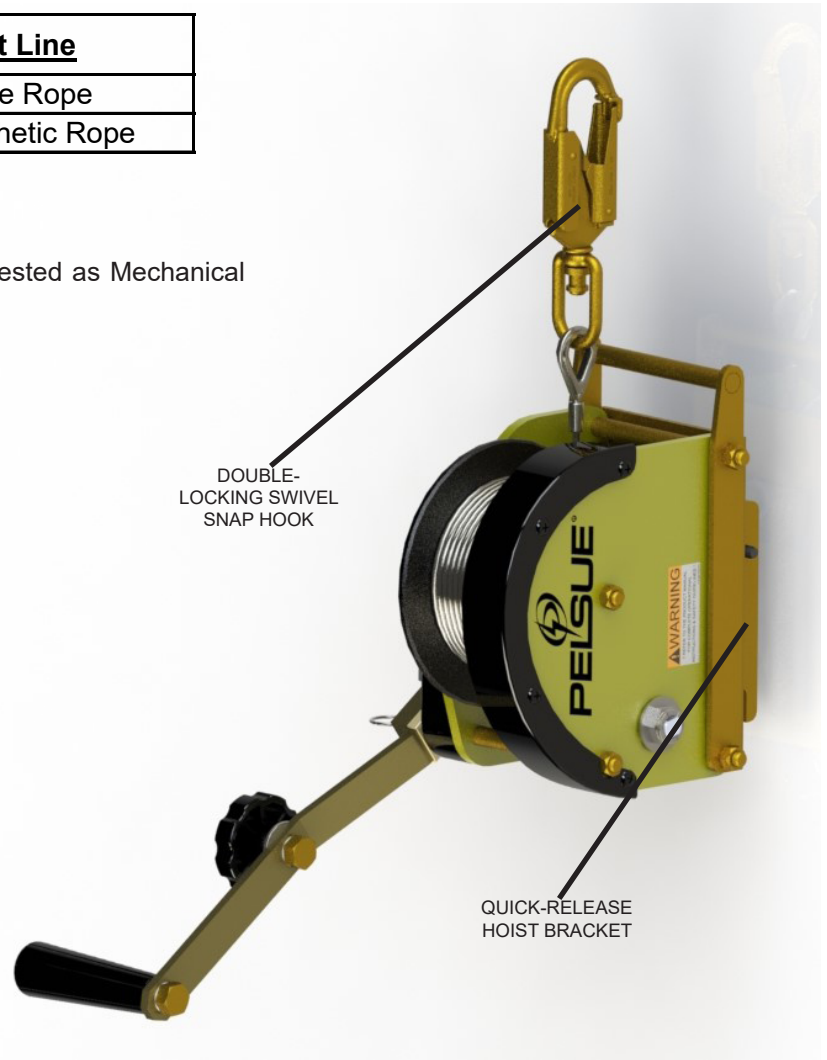
Minimum Breaking

Strength.....5500 LBS. (2494 KG)

Weight:

WH07C (Steel Cable).....25 LBS. (11.3 KG)

WH07R (Synthetic Rope)....21 LBS. (9.5 KG)



****NOTE - THE WH SERIES WORK HOIST IS NOT RATED FOR THE LIFTING OF PERSONNEL (PEOPLE). THE WH SERIES WORK HOIST IS TO BE USED FOR THE HOISTING OF EQUIPMENT ONLY. THE WH SERIES WORK HOIST IS NOT TO BE USED TO HOIST OVER AREAS WHERE PEOPLE ARE OR MAY BE PRESENT.**

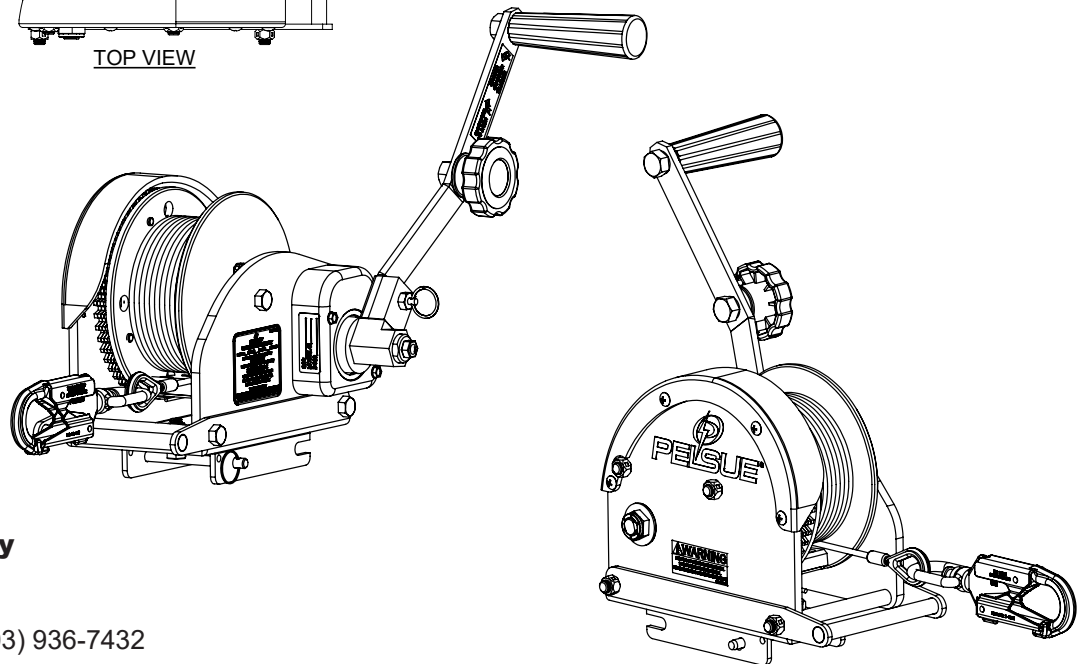
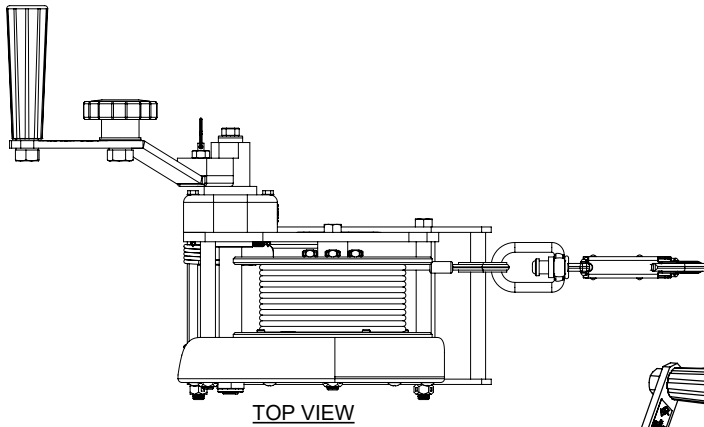
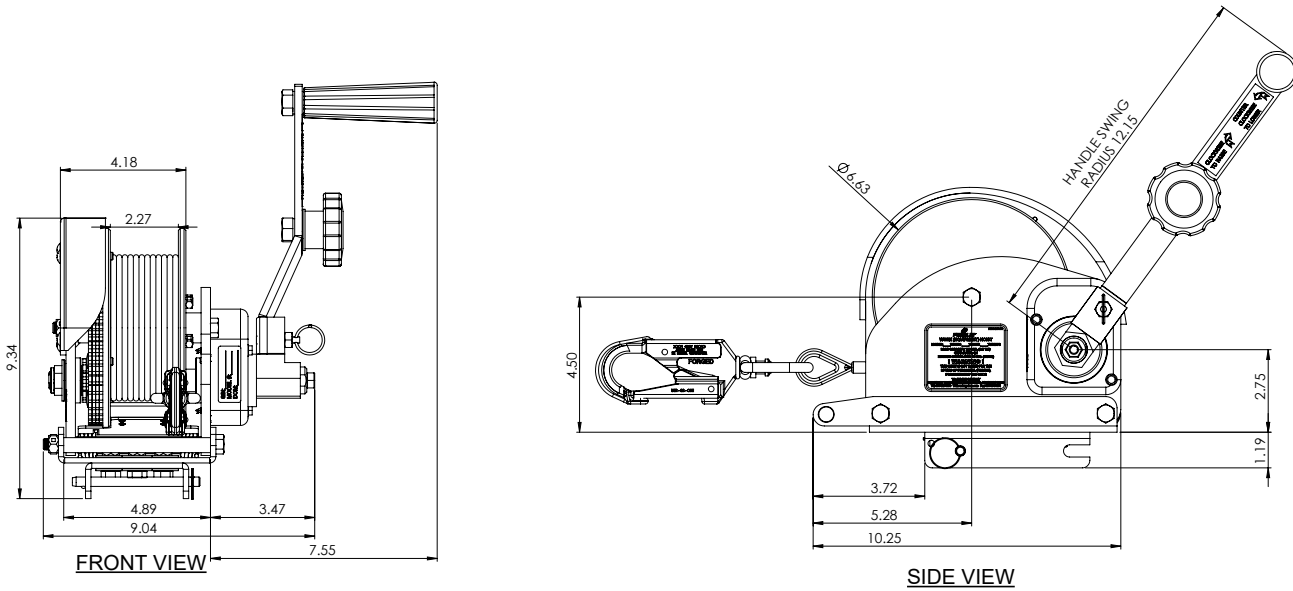


2500 S. Tejon St.
 Englewood, CO 80110
 Ph: 1-800-525-8460, (303) 936-7432
 Fax: (303)934-5581
 Web: www.pelsue.com E-mail: sales@pelsue.com



Product Specifications

Model: WH Series Work Hoist



PELSUE
T.A. Pelsue Company
2500 S. Tejon St.
Englewood, CO 80110
Ph: 1-800-525-8460, (303) 936-7432
Fax: (303)934-5581
Web: www.pelsue.com E-mail: sales@pelsue.com