

# MINI RODDER



Model	Description
46100	100 ft mini rodder
46200	200 ft mini rodder
46300	300 ft mini rodder
46400	400 ft mini rodder

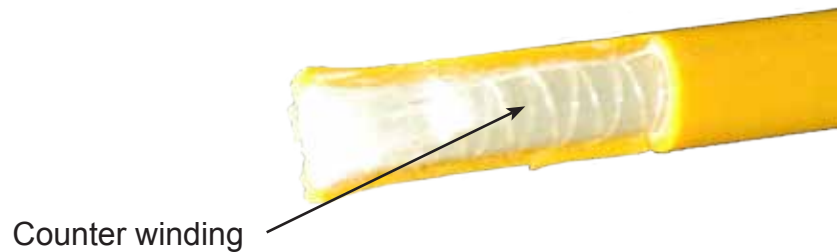
Includes:

- 1/4" (.63 cm) diameter rod from 100' to 400'
- Vertical stand and spool with spool brakes
- Threaded end fittings to accept all accessories

Developed for 1" or 2" (2.5 or 5 cm) conduit and up to 400 feet (122 m). The Mini rodder combines lightweight and portability along with high rod strength. Especially effective for placement of wire or cable in interior building conduit. This counter wound rod from Germany is capable of tight bend radii without breaking.

**Specifications:**

Weight:	
46100	16 lbs.
46200	19 lbs.
46300	22 lbs.
46400	25 lbs.
Pulling Strength	
2200 lbs	
Bending Radii	
12" - 18"	

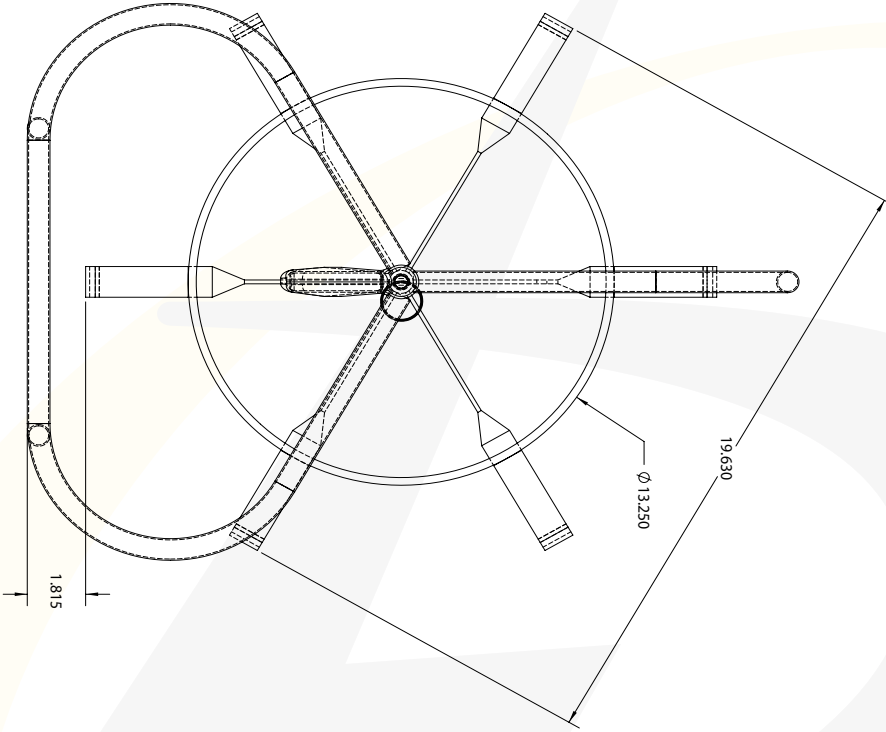


ISO 9001:2008  
CERTIFIED

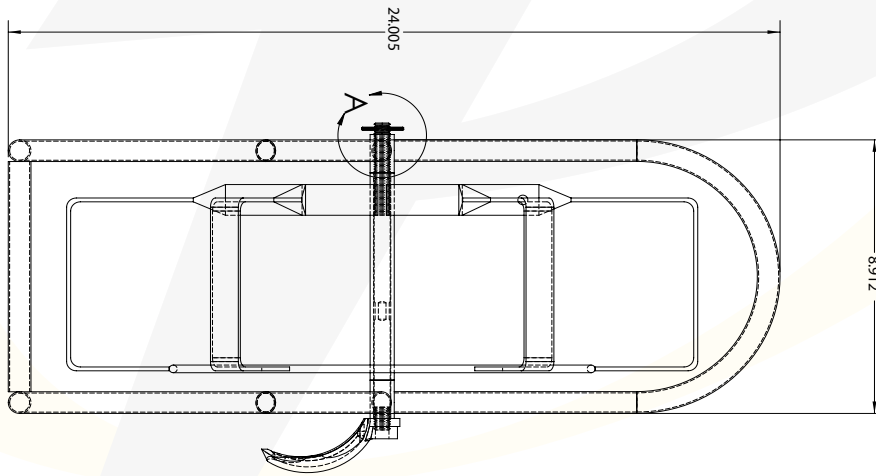
**PELSUE**<sup>®</sup>  
TRADITION+INNOVATION

# PRODUCT DETAILS

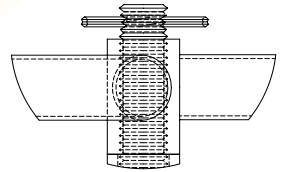
SIDE VIEW



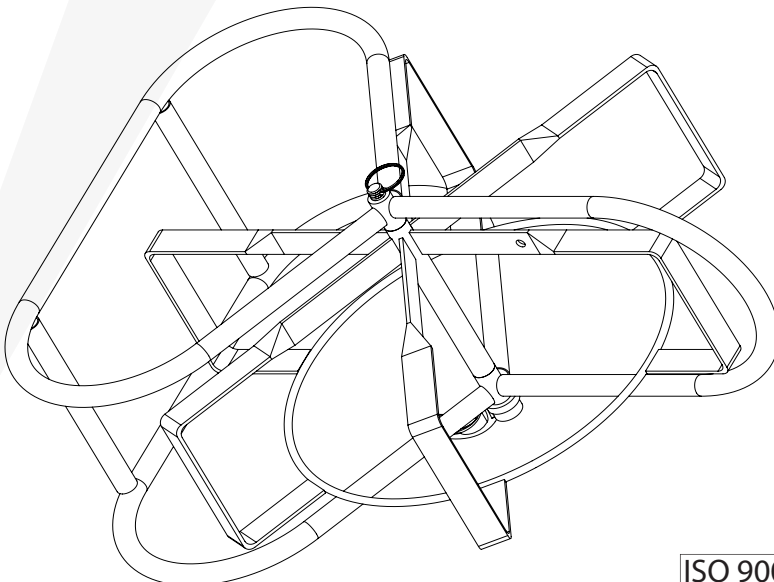
FRONT VIEW



DETAIL A  
SCALE 1:1



ISOMETRIC VIEW



ISO 9001:2008  
CERTIFIED

**PELSUE**<sup>®</sup>  
TRADITION+INNOVATION