

# PULSAFEEDER®

MicroVision<sup>EX</sup> is a microprocessor-based conductivity, pH, and ORP controller, with the features and functions you need for accurate monitoring and control of cooling tower water that won't break your budget!

## Features

- Toroidal conductivity sensor.
- One-point calibration.
- Large easy to read color display.
- Lockable front cover.
- Multiple level security codes.
- Up to 10 digital inputs.
- Optional 4-20 mA analog outputs and inputs.
- Dry contact alarm output.
- Battery backup.
- Optional Make-up conductivity control with a toroidal sensor.
- USB data logging is standard:
  - Up to 2 years of data logging.
  - Upload/Download program settings.
  - Upgrades to the Operating System.
- Optional Ethernet interface.

## Controls



### Bleed

- Solenoid valves, or motorized ball valves

### pH and ORP Control

- Pumps, solenoid valves, or motorized ball valves

### Up to 6 Selectable Timer Relays

- Limit timer
- Percent timer
- % post bleed with limit timer
- Water meter pulse timer
- Biocide control timer, with pre-bleed, lockout, and conductivity minimum
- 4-20mA input, pH, or ORP set point control
- Alarm output

## Operating Benefits

- Easy installation.
- Easy programming based on MicroVision simplicity.
- Toroidal conductivity probe.
  - No need to recalibrate conductivity probe.
  - Reduced potential for fouling.
- Two year warranty.
- Wide control range: 0 – 9,999  $\mu\text{S}/\text{cm}$ .
- Compact size saves space and reduces freight cost.



## Aftermarket

- Solenoids
- Motorized Ball Valves
- Water Meters
- Corrosion Coupon Racks
- Metering Pumps (PULSAtron, XP Series)



**MicroVision<sup>EX</sup>**  
Cooling Tower Controller

## Specifications and Model Selection Cooling Tower Controller

Model	Control Parameters	Relays	Timers	Probes	USB	4-20mA Inputs	4-20mA Outputs	Digital Inputs
MVECXXX	Conductivity	4	3	1	√	0 to 1	0 to 1	5
MVEC5XX	Conductivity	5	4	1	√	0 to 1	0 to 1	5
MVECPXX	Conductivity and pH	8	6	2	√	0 to 2	0 to 4	10
MVECOXX	Conductivity and ORP	8	6	2	√	0 to 2	0 to 4	10
MVECPOX	Conductivity, pH and ORP	8	5	3	√	0 to 2	0 to 4	10
MVECPOM	Conductivity, Make-Up, pH and ORP	8	5	4	√	0 to 2	0 to 4	10

### Engineering Data Digital Inputs

Digital Inputs	Input 1	Inputs 2 to 4	Input 5	Inputs 6 & 7	Inputs 8, 9 and 10
Function	Flow Switch	Drum Level	Water Meter	Water Meter	Water Meter
Dry Contact	√	√	√	√	√
Hall Effect			√		√

### Engineering Data Controller

Enclosure:	IP65
Temperature Range:	122°F / 50°C
Power Supply:	100 VAC – 240 VAC / 50/60Hz / 8A
Control Output:	8 Amps max
Display:	Multicolor graphical LCD
Set Point Range:	0 - 9,999 µS/cm 0 – 14 pH -2000 - + 2000mV
Set Point Types:	Rising or Falling
Languages:	English Spanish Portuguese

### Engineering Data Sensor

Maximum Temperature:	122°F / 50°C
Flow Switch Activate Flow Rate:	Approx. 1 GPM / 3.78 LPM
Conductivity Temp. Comp. Range:	32°F - 122°F / 0°C - 50°C
Maximum Pressure:	125 PSI (8.6 BAR)
Sensor Type:	Toroidal Conductivity Standard industrial pH and ORP sensors

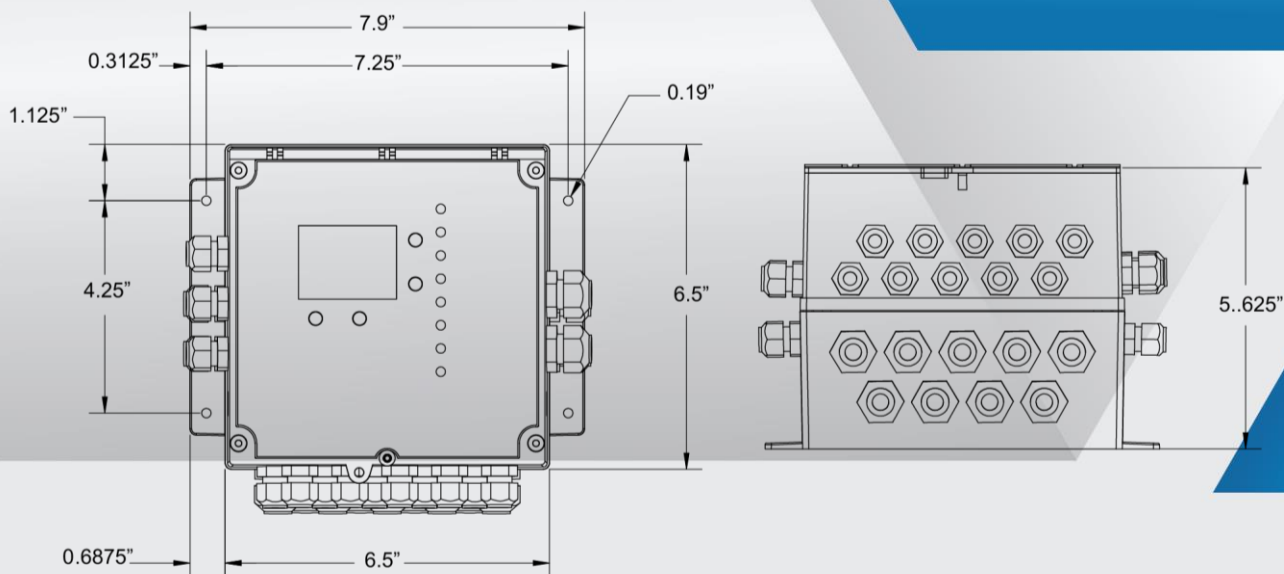
### MicroVision EX Panel Systems



Pulsafeeder's MicroVision Systems are designed to provide complete and easy to install solutions for cooling tower applications.

- Rugged custom fabricated assemblies.
- Turn-key simplicity.
- Industrial-grade durability.
- Mounting locations for up to three pumps.
- Factory assembled and hydrostatically tested.

### Dimensions



[www.pulsatron.com](http://www.pulsatron.com)



**PULSAFEEDER**

27101 Airport Road  
Punta Gorda, FL 33982  
Phone: +1(941) 575-3800  
Fax: +1(941) 575-4085

An ISO 9001 Certified Company

MVE001 H15

**IBEX**  
FLUID & METERING