

ALGIZ 10XR

QUICK START GUIDE



handheld

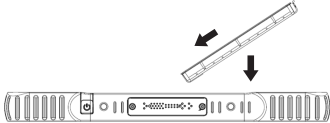
WHAT'S IN THE BOX

Ref.	Item	Description
1	Algiz 10XR	Ultra-rugged 10-inch Windows tablet
2	Battery Pack	One 3 Cell Li-Ion Battery Pack
3	19V Adapter	19V Adapter w/ standard power cord

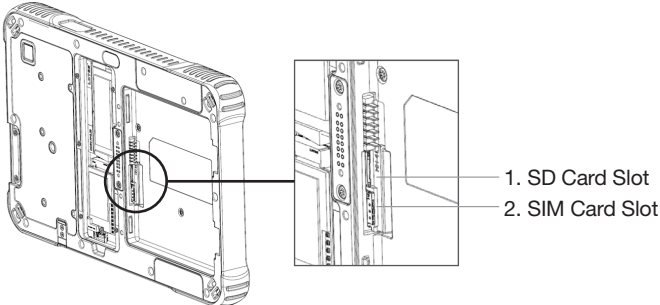
STARTING ALGIZ 10XR

NOTE: Microsoft Windows license number that is located under the main battery. Press and hold power button for few seconds to power on the unit when power adapter is connected. Follow the on-screen instructions to get started with Windows.

INSERT BATTERY PACK



INSERT SIM CARD & SD CARD



FUNCTION KEYS



1. Power button
2. Touch mode/lock
3. Menu
4. Windows key
5. Function keys

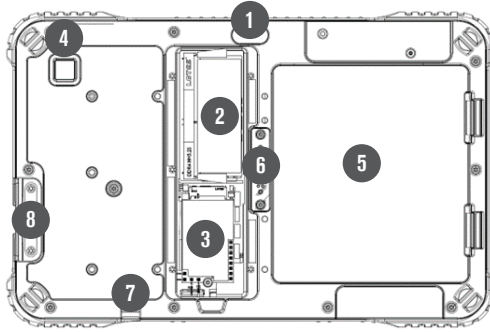
Ref.	Components	Description
1	Power button*	Hold down for a short period to turn the computer on
2	Touch mode/lock	Touch mode selection. Lock screen.
3	Menu	Controls brightness, volume, battery, power to modules and system information.
4	Windows key	Open start menu.
5	Function keys	Two programmable buttons. Press menu to configure.

* If computer does not respond you can power off by holding down the Power Button until the LEDs switches off. Hold down for about 4 seconds.

LED INDICATORS

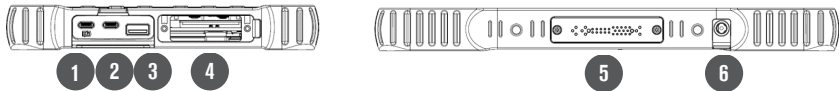
Ref.	Symbol	Indicator Status Description
Power mode		Green: System is on No light: System is off or LED indicators are off in HotTab
Storage Status		Flashing green light: SSD is reading/writing data
Battery Status		Green: Full battery Red: Low battery or running on Hot-swap battery Orange: Charging

REAR VIEW



Ref.	Item	Description
1	Rear Camera	Rear camera with LED flash
2	Service Window	Expansion slots: Memory module
3	Service Window	Expansion slots: 5G module
4	Fingerprint Reader	Fingerprint reader
5	External Battery	Exchangeable external battery
6	Rear Pogo Connector	Rear pogo connector for expansion
7	DC Jack Cover	Cover for protect DC jack
8	Side USB Connectors Cover	Cover for protect side USB connectors

LEFT AND BOTTOM VIEW



Ref.	Item	Description
1	USB 3.0 Port	Type C (Power Delivery and DisplayPort Alternate Mode)
2	USB 3.0 Port	Type C
3	USB 3.0 Port	Type A
4	Side Expansion Slot	Slot for expansion modules
5	Bottom Pogo Connector	Bottom pogo connector for docking
6	DC Power Jack	19V DC/65W, 100 ~ 240V, 50 ~ 60Hz

Please go to www.handheldgroup.com/knowledgebase to download more information.