

Introduction

Congratulations on your purchase of the Extech MO100 Moisture Detector. Readings are made by inserting the pins into the material being measured. Careful use of this meter will provide years of reliable service.

Cautions

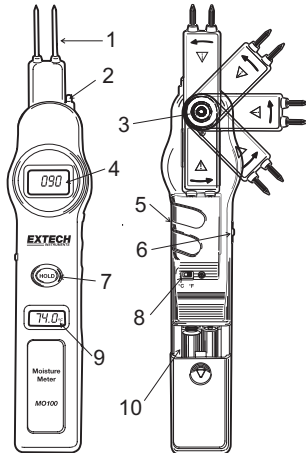
- This device is not a toy and must not reach children's hands. It contains hazardous objects as well as small parts that the children could swallow. In case a child swallows any of them, please contact a physician immediately
- Do not leave batteries and packing material lying around unattended; they can be dangerous for children if they use them as toys
- In case the device is going to be unused for an extended period of time, remove the batteries to prevent them from training
- Expired or damaged batteries can cause cauterization on contact with the skin. Always, therefore, use suitable hand gloves in such cases
- See that the batteries are not short-circuited. Do not throw batteries into the fire.

Specifications

Display	Two LCD displays	Operating %RH	90% Relative Humidity (max.)
Display Range	0 to 100	Power	Two (2) AAA batteries
°C/ °F Range	0°C to 50°C (32°F to 122°F)	Dimensions	192 x 30 x 45 mm (7.6 x 0.8 x 1.8")
°C/ °F Resolution	: 0.2°	Wt.	108g (3.8oz)

Meter Description

1. Pins
2. Temperature sensor
3. Rotating Head Lock Release
4. Display
5. CAL Adjustment
6. Off/Test/Cal switch
7. Hold button
8. °C/ °F switch
9. Temperature display
10. Batteries



Temperature Units

This meter displays ambient temperature. Readings can be displayed in °C or °F. Use slide switch on the back of the meter to select the appropriate unit of measure.

Battery Replacement

Slide the battery compartment cover off, replace the two AAA batteries and reinstall the cover.

You, as the end user, are legally bound (**Battery ordinance**) to return all used batteries and accumulators; **disposal in the household garbage is prohibited!**

You can hand over your used batteries / accumulators at collection points in your community or wherever batteries / accumulators are sold!



Disposal: Follow the valid legal stipulations in respect of the disposal of the device at the end of its lifecycle

Operation

Calibration:

1. Slide the Off/Test/Cal switch to the CAL position.
 2. Adjust the rotary CAL adjustment until the display reads 100.
- Note: (The CAL adjustment knob is recessed to prevent it from being accidentally changed. Use an object with a tapered end to make adjustments.)
3. Slide the Off/Test/Cal switch to the TEST position
 4. The meter is now ready to take readings

Taking Readings

The following procedure is used to make relative or comparative readings of the moisture content in wood, wallboard or other materials. The readings you will obtain are relative indications of the moisture level NOT % moisture content. To freeze a reading in the display, press the HOLD button.

1. Slide the switch to TEST.
2. To establish a benchmark for the material you are reading Insert the sensor's test pins into a known dry (or acceptable) area of the material being tested. Insertion should be as deep as possible. Note this 'dry' reading.
3. Then insert the sensor's test pins into a known wet area of the material being tested. Insertion should be as deep as possible. Note this 'wet' reading.
4. Use these dry to wet readings as reference points to which subsequent readings are compared.

Typical Dry and Wet Readings			
Wallboard		Wood	
Indication	Moisture Rating	Indication	Moisture Rating
0-5	Dry	0 to 8	Dry
6-14	Moist	9-22	Moist
>14	Wet	>22	Wet

Converting Relative Readings to %Moisture Content

The readings obtained with this meter are relative indications of the moisture level NOT % moisture content. Please refer to the table for an approximate conversion of relative readings to % moisture content.

Wood Scale Conversion (Approx)														
REL	2	4	8	16	22	30	38	44	62	68	72	76	78	83
%MC	16	17	18	19	20	21	22	23	24	25	26	27	28	29

Pin Replacement

For your convenience this meter uses threaded pins. To replace a pin, simply unscrew the pin from the meter and replace with a new one being careful not to over tighten.

Safety Note: The MO100 has a rotating head with a push button lock release for your safety. Please remember to rotate the head back so that the pins are safely hidden inside the storage area.

Copyright © 2012 Extech Instruments Corporation (a FLIR company)
All rights reserved including the right of reproduction in whole or in part in any form.
www.extech.com