

# Large Vane CFM/CMM Anemometer / Psychrometer

Model AN310



# Introduction

---

Congratulations on your purchase of the Extech AN310 Vane Airflow Anemometer Psychrometer. This instrument measures Air Velocity, Air Flow (volume), Air Temperature, Relative Humidity, Wet Bulb Temperature, and Dew Point Temperature. The large, easy-to-read backlit LCD includes primary and secondary displays plus numerous status indicators. The optional round and square airflow cone allows for quick volume measurements. This meter is shipped fully tested and calibrated and, with proper use, will provide years of reliable service. Please visit our website ([www.extech.com](http://www.extech.com)) to check for the latest version of this User Guide, Product Updates, and Customer Support.

## CAUTIONS

- Improper use of this meter can cause damage to the meter and personal injury. Read and understand this user manual before operating the meter.
- Inspect the condition of the probe and the meter for any damage before operating the meter. Repair or replace damage before use.
- If the equipment is used in a manner not specified by the manufacturer, the protection provided by the equipment may be impaired.
- This device should not be made available to children. It contains hazardous objects as well as small parts that can be accidentally swallowed. The meter's batteries and packing material can also be dangerous to children.
- In the event that the meter is to be unused for an extended period of time, remove the batteries to protect against battery leakage.
- Expired or damaged batteries can be hazardous if allowed to come in contact with skin. Use suitable hand protection in such cases.
- Do not short circuit batteries or put batteries in fire.

# Meter Description

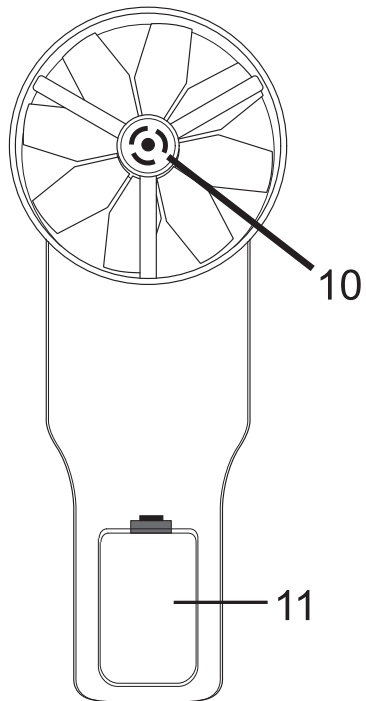
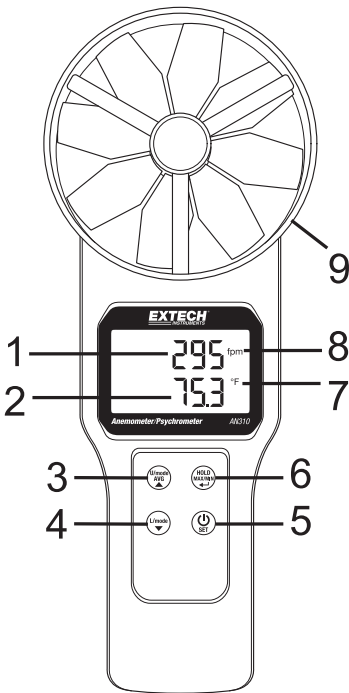
---

## Meter Description (front)

1. Top line LCD display reading
2. Bottom line LCD display reading
3. U/mode AVG and up arrow button
4. L/mode and down arrow button
5. ON-OFF (Power) and SET button
6. HOLD, MAX-MIN, and left arrow (Enter) button
7. Unit of measure symbol for lower display row
8. Unit of measure symbol for upper display row
9. Air Velocity Vane

## Meter Description (rear)

10. Air temperature and humidity sensors
11. Battery compartment



## Brief Keypad Description



**SET**

Press momentarily to switch the meter ON or OFF. Press and hold this button for 2 seconds to enter or exit the Setup mode (refer to Setup mode section for details).

**HOLD  
MAX/MIN**



- Press momentarily to freeze the displayed reading (HOLD icon switches ON); press again momentarily to exit the HOLD mode (HOLD icon switches OFF)
- Press and hold for 2 seconds to display the MIN (minimum) reading; press and hold again to display the MAX (maximum) reading; Press and hold a third time to exit
- This button is also used in the AVERAGE mode (for recording readings one at a time or for a 'timed' recording session) and in the SETUP mode (for configuring the meter). Please review the AVERAGE and SETUP mode sections for details

**U/mode**

**AVG**



Press momentarily to toggle RH and Air Velocity readings. Press and hold for 2 seconds to access the Multi-Point Average and Timed Average modes (the AVG icon switches ON). Detailed instructions for these modes are provided later in this guide. In the Setup mode press to select a category or to increase a value (refer to Setup mode later in this guide)

**L/mode**



Press to toggle the lower display between air temperature, air volume, wet bulb temperature, and dew point temperature readings; Also used in the Multi-Point Average, Timed Average, and Setup modes; refer to the AVERAGE and SETUP modes sections later in this guide



+

**U/mode**

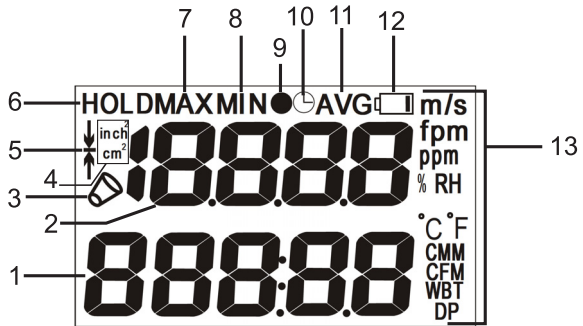
**AVG**



With the meter switched OFF, press and hold these two buttons to disable Auto Power OFF. Detailed AUTO POWER OFF (Sleep mode) instructions are provided later in this guide

## Display Layout

1. Lower Display digits (air volume, temperature, timer, or menu parameter displays)
2. Upper Display digits (air velocity, humidity, or menu display parameters)
3. Optional Cone or Funnel attachment icon
4. Units of measure for duct area programming
5. Vane indicator (flashes very briefly on power up)
6. Display HOLD icon
7. MAX mode icon
8. MIN mode icon
9. Recording icon
10. Elapsed Timer icon
11. AVG mode icon
12. Battery status icon
13. Unit of measure icons\*




*\*Full list shown. Available units of measure icons vary by model.*

# Operation

---

## Air Velocity and Air Volume Measurements

1. Switch the meter ON by pressing the **POWER**  button momentarily. Press the **POWER** button again to switch the meter OFF.
2. Note that the meter will automatically enter the sleep mode after 20 minutes of inactivity. To disable this feature: with the meter OFF, press and hold the **POWER** and the **U/mode** buttons for 2 seconds. The LCD will display 'n' as it switches ON. Now the sleep mode is disabled and the user must press the **POWER** button momentarily to switch the meter OFF.
3. When the meter is ON, the upper display can indicate air velocity or relative humidity (use the **U/mode** button to toggle). The lower display digits can indicate air flow, dew point temperature, wet bulb temperature, or air temperature (use the **L/mode** button to scroll).
4. Place the sensor in the air stream. The air must enter the vane from the rear of the meter. The Air Temperature and Relative humidity sensors are located at the center of the vane on the rear of the meter.
5. Read the measurement data on the LCD. Air velocity readings are indicated in meters per second (m/s) or feet per minute (fpm). Temperature readings (air, dew point, or wet bulb) are indicated in °C/°F. Relative Humidity is indicated in %. Air flow (volume) is indicated in CFM (cubic feet per minute) or CMM (cubic meters per minute). Use the **L/mode** button (for lower display) and the **U/mode** button (for upper display) to scroll through the displayed reading options.
6. To change between Imperial and Metric units of measure refer to the SETUP Mode section.
7. To measure the Air Volume of a duct, first measure the duct's area (see the Appendix for area calculations) and then enter the area value in the meter's SETUP mode in in<sup>2</sup> or cm<sup>2</sup>. After the area value has been entered, use the **L/mode** button to scroll to the air volume display (CMM/CFM) on the lower digits. Place the meter in air stream to measure volume.
8. Optional: measure Air Volume with an airflow Cone or Square adaptor by first attaching one of the adaptors to the meter (the optional cone adaptor kit includes a round and a square cone; kit part number AN300-C). The meter will automatically recognize that the adaptor is attached to the meter and a cone icon will appear on the display.



Note: regardless of the AREA setting in the SETUP mode, the meter will default to the dimensions of the vane opening. Ensure that the airflow adaptor is well mounted and locked before taking measurements.

## LCD backlight

Press the **U/mode** button to switch ON the LCD backlight. The backlight will automatically switch OFF after approximately 10 seconds to conserve battery power. Note that the backlighting switches ON automatically when the meter is switched ON by the user.

## Relative Humidity, Wet Bulb, and Dew Point Measurements

The relative humidity sensor is built in to the center of the vane (rear of meter) and can be used to measure relative humidity, dew point and wet bulb temperatures.

1. Press **U/mode** to switch to the %RH display if necessary. The measured humidity readings will be displayed on the upper LCD digits.
2. Use the **L/mode** button to scroll through air temperature, dew point temperature, wet bulb temperature, and air volume readings.
3. To measure the humidity using an offset reference value, please access the Setup mode and input the offset value as described in the Setup mode section. The LCD will display the measured value minus the offset value once the offset is programmed in the Setup mode.

## Data Hold Mode

1. Press the **HOLD** button from the normal operating mode to freeze the current measurement.
2. The 'HOLD' icon will appear at the top of the LCD display.
3. Press **HOLD** again to return to normal operation. The 'HOLD' icon will switch OFF and the meter will return to displaying readings in real time.

## MAX/MIN Mode


The MAX-MIN feature records the highest (MAX) and lowest (MIN) readings captured since the MAX-MIN mode was accessed.

1. Press and hold the **MAX/MIN** button for 2 seconds to begin displaying the lowest (minimum) readings encountered since this mode was accessed. The 'MIN' icon will appear at the top of the LCD display indicating that the readings shown are the lowest measured.
2. Press and hold the **MAX/MIN** button again for 2 seconds to display the maximum readings encountered. The 'MAX' icon will appear on the LCD.
3. Press and hold this button again for 2 seconds to return to the normal mode of operation (the 'MIN' and 'MAX' icons should switch OFF).
4. While viewing the MAX or MIN data, use the **L/mode** button to switch the display so that the Air Volume MIN and MAX readings can be viewed also.
5. Press and hold **MAX/MIN** for 2 seconds to return to the normal operation mode.

## Multi-Point Average Mode

1. From the normal operating mode press the **U/mode** button for 2 seconds to enter Multi-Point Average mode (the AVG display icon and the associated black dot • will switch ON).
2. Press the **HOLD** button momentarily to record one reading. The upper display digits will show the reading's memory location number and the lower display will show the measured value. Press the **HOLD** button again to take and store another reading; the memory location number will increment by one and the current reading will be stored in this new memory location.
3. Press **U/mode** momentarily to see the multi-point mean (average) for all of the readings recorded during the session (the '•AVG' display icon will flash during this process).
4. Press **L/mode** to view the average reading for the other available parameters.
5. Press **U/mode** momentarily to return to the normal operating mode.

## Timed Average Mode

1. From the normal operating mode, press and hold the **U/mode** button for 2 seconds to enter the Multi-Point Average mode first and then press **U/mode** one more time momentarily to enter the Timed Average Mode (the AVG and the elapsed timer  icons will switch ON).
2. Press **HOLD** to begin recording. The elapsed timer starts (as shown on the upper display digits) and the clock icon flashes on and off.
3. Press **U/mode** to stop the clock and to calculate the timed average. The upper LCD will display the elapsed time and the lower LCD will show the averaged readings. The LCD will flash the 'AVG' and the elapsed timer icons.
4. Press **L/mode** to view the average for other available measurements.
5. Press **U/mode** to return to the normal operating mode.

## Setup Mode

---

### Entering Setup Mode

Press and hold the **POWER SET** button for 2 seconds to enter Setup mode. Two options are available: P1.0: Unit and P2.0: AREA.

Use the **up/down** buttons to toggle between P1.0 UNIT and P2.0 AREA options.

#### P1.0: Unit Selection

1. Once in setup mode, at the P1.0 UNIT display, momentarily press the **HOLD** button to enter the P1.0 UNIT menu.
2. Use either **arrow** button to switch between metric and imperial units. The available units are: air velocity (m/s, fpm), temperature (C, F), air volume (CMM, CFM), and area size (cm<sup>2</sup>, inch<sup>2</sup>).
3. Press **HOLD** momentarily to return to the P1.0 display.
4. Press either **arrow** button to move to the P2.0 AREA option and follow the steps below.

#### P2.0: Area Size Selection (enter square inches or square centimeters)

1. In setup mode, from the P2.0 AREA display, press **HOLD** to enter the AREA setting menu. The LCD will show '99999' in the lower display with the first digit flashing.
2. Use the **up arrow** button change the flashing digit (from 0 through 9).
3. Use the **down arrow** button to move to the next digit. Use the **up arrow** button again to change the flashing digit. Continue in this way until the desired AREA value is displayed.
4. Press the **Hold** button again momentarily to store the value and to return to the P2.0 display.
5. Press either **arrow** button to move to the P3.0 RH OFFSET option and follow the steps below.


#### P3.0: Relative Humidity (RH) Offset Selection

1. When in setup mode P3.0 press **HOLD** to enter the RH offset setting. The LCD will show 0.0 RH in the upper display.
2. Press **U/mode** to increase offset value and **L/mode** to decrease offset.
3. Press **HOLD** once more to return to P3.0.
4. Press and hold the **POWER SET** button for 2 seconds to return to the normal operating mode.



## Battery Replacement

---

When  appears on the LCD, the AAA batteries must be replaced. The battery cover is located on the back of the meter.

1. Open the rear battery compartment by carefully pulling down on the compartment's latch.
2. The battery compartment cover should be completely removed before proceeding.
3. Replace the four (4) 1.5V 'AAA' batteries ensuring proper polarity.
4. Close the battery compartment before attempting to use the meter.



Never dispose of used batteries or rechargeable batteries in household waste.

As consumers, users are legally required to take used batteries to appropriate collection sites, the retail store where the batteries were purchased, or wherever batteries are sold.

**Disposal:** Do not dispose of this instrument in household waste. The user is obligated to take end-of-life devices to a designated collection point for the disposal of electrical and electronic equipment.

### Other Battery Safety Reminders

- Never dispose of batteries in a fire. Batteries may explode or leak.
- Never mix battery types. Always install new batteries of the same type.

## Specifications

Air Velocity	Ranges	Resolution	Accuracy
m/s (meters per sec)	0.2 – 30 m/s	0.01 m/s	± (1.5%rdg + 0.3 m/s)
fpm (feet per minute)	40 – 5900 fpm	1 fpm	± (1.5% rdg + 59 fpm)
Relative Humidity	Range	Resolution	Accuracy
RH	0.1%-99.9%RH	0.1 RH	±3%RH (10-90%RH) ±5%RH (<10% or >90%)
Air Flow	Ranges	Resolution	Area Range
CMM (cubic meters/min)	0-99999 m <sup>3</sup> /min	0.1 up to 9999.9 then 1.0	0 to 99999cm <sup>2</sup>
CFM (cubic ft/min)	0-99999 ft <sup>3</sup> /min	0.1 up to 9999.9 then 1.0	0 to 99999in <sup>2</sup>
Temperature	Ranges	Resolution	Accuracy
°C/°F	<b>Air and Wet Bulb:</b> -20 to 60°C (-4 to 140°F) <b>Dew Point:</b> -5 to 60°C (23 to 140°F)	0.1°C/°F	±0.6°C (-20 to 50°C) ±1.2°C (51 to 60°C) ± 1.1°F (-5 to 122°F) ± 2.2°F (123 to 140°F)

<b>Circuit</b>	Custom LSI microprocessor
<b>Display</b>	Dual function 13 mm (0.5") 4-digit LCD
<b>Sampling rate</b>	1 reading per second approx.
<b>Air velocity/flow sensor</b>	Conventional angled vane arms with low-friction ball bearing
<b>Sensors</b>	NTC-type precision thermistors
<b>Automatic Power off</b>	Auto shut off after 20 minutes to preserve battery life (sleep mode)
<b>Operating Temperature</b>	0°C to 50°C (32°F to 122°F)
<b>Storage Temperature</b>	-10 to 50°C (14 to 122°F)
<b>Operating Humidity</b>	<80% RH
<b>Storage Humidity</b>	<90% RH
<b>Operating Altitude</b>	2000 meters (7000ft) maximum
<b>Battery Power</b>	Four (4) 'AAA' 1.5V batteries
<b>Battery Life</b>	> 40 hours
<b>Battery consumption</b>	8.3 mA DC (approx.)
<b>Weight</b>	725g (1.6 lbs.) including battery and probe
<b>Dimensions</b>	Main instrument: 269 x 106 x 51mm (10.6 x 4.2 x 2") Vane inner diameter: 100mm / 3.94 inches Optional Air Flow Adaptors: Round: 210mm (8.3") Diameter Square: 346 x 346mm (13.6 x 13.6")

# Error Messages

---

## Error codes and solutions

### Air Temperature

**E02:** Temperature reading is lower than the low range limit. Place the meter in room temperature for 30 minutes. If E02 continues, send the unit to Extech for repair.

**E03:** Temperature exceeds the high range limit. Place the meter in room temperature for 30 minutes. If E03 continues to appear, send the unit to Extech for repair.

**E31:** The A-to-D converter requires replacing. Send the meter to Extech Instruments for repair.

### Relative Humidity (RH)

**E04:** Temperature error corrupted the humidity reading. Check the temperature error solution section.

**E11:** RH calibration error. Send to Extech Instruments for repair.

**E33:** RH measurement circuit error. Send to Extech Instruments for repair.

### Dew Point (DP) and Wet Bulb (WBT) Temperature

**E04:** Temperature or RH error. Check temperature or RH error solutions.

### Air velocity

**E03:** Velocity exceeds the high range limit. Test the meter using an air velocity that is known to be within the specified range limits. Send the unit to Extech for repair if the E03 error message persists.

### Air volume

**E03:** Reading exceeds the meter's display limit. Check that the AREA setting is correct in the Setup Mode.

**E04:** Air velocity error. Return meter to Extech for repair.

### Other Errors

**E32:** Memory IC error. Reboot the meter and check it again; send it to Extech Instruments for repair if the error message persists.

#### No display

1. Check that the batteries are making good contact and are aligned for correct polarity.
2. Replace batteries.

#### Display switches OFF automatically

This symptom could be the normal 'Sleep Mode' which switches the meter OFF after 20 minutes of in-activity. If this is not the 'Sleep Mode', check whether the low battery indicator appears before the LCD attempts to switch ON; if yes, replace the batteries.

## Appendix: Useful Equations and Conversions

---

### Area equation for rectangular or square ducts

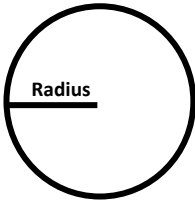


Height (H)

Area (A) = Width (W) x Height (H)

Width (W)

### Area equation for circular ducts



Area (A) =  $\pi \times r^2$

Where  $\pi = 3.14$  and  $r^2 = \text{radius} \times \text{radius}$

### Cubic equations

CFM (ft<sup>3</sup>/min) = Air Velocity (ft/min) x Area (ft<sup>2</sup>)

CMM (m<sup>3</sup>/min) = Air Velocity (m/sec) x Area (m<sup>2</sup>) x 60

NOTE: Measurements made in *inches* or *centimeters* must be converted to feet or meters before using these formulae.

### Unit of Measure Conversion Table

	m/s	ft/min	knots	km/h	MPH
1 m/s	1	196.87	1.944	3.6	2.24
1 ft/min	0.00508	1	0.00987	0.01829	0.01138
1 knot	0.5144	101.27	1	1.8519	1.1523
1 km/h	0.2778	54.69	0.54	1	0.6222
1 MPH	0.4464	87.89	0.8679	1.6071	1

Copyright © 2014 FLIR Systems, Inc.

All rights reserved including the right of reproduction in whole or in part in any form

[www.extech.com](http://www.extech.com)