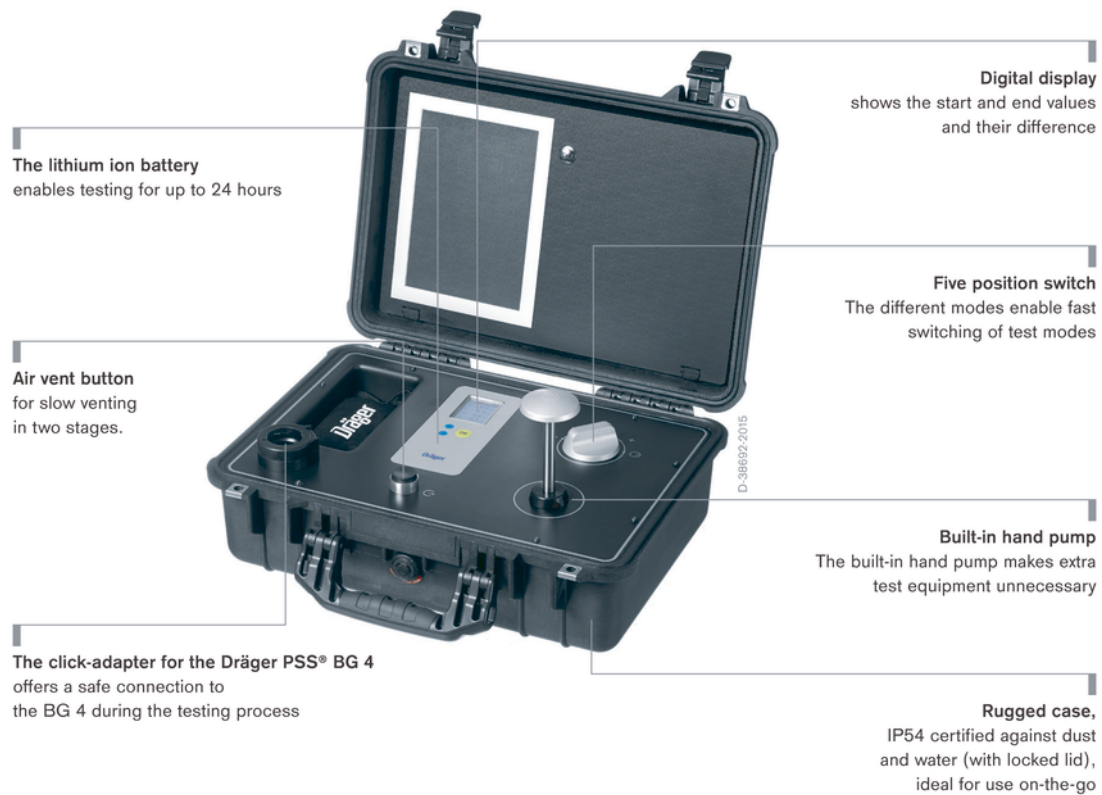


Dräger RZ 7000 Test Equipment

Easy to use: With the Dräger RZ 7000 you can carry out the function and leak tests of the Dräger PSS® BG 4 plus easier and faster than ever before.



Benefits

Ready to use immediately

After the test device is switched on, an automatic sensor zero reset is conducted - the device is then ready to use. Through the new self-locking adaptor, the Dräger PSS BG 4 is connected to the test device securely and without additional fittings during the entire test procedure.

Built-in pump

Through the built-in pump with aluminium handle and stainless steel shaft you can immediately produce positive pressure. After one turn of the switch the pump produces negative pressure making further switching unnecessary.

Five position switch

With the switch you set the pump direction and can also use the device for the leak test. By selecting flow measurement the display is automatically switched to the flow sensor and the measurement is started without additional intervention. The quick venting position allows removal of air from the device without disconnecting the Dräger PSS BG 4.

New display

The illuminated display shows the current pressure and the pressure saved at the start and end of the test. During the leak test the timer shows the remaining test time and automatically calculates the difference between the start and end pressures. Alternatively, you can set the display up to show only current pressure and timer.

Portable

The Dräger RZ 7000 mobile test device is integrated in a compact case. The robust housing is IP54 certified against dust and splash water and is ready to use anywhere for at least 24 hours without an external power source thanks to the lithium ion battery. In addition, the configurable auto-shutoff extends the usage time. Of course, the device can also be used while being charged.

PC Software

Optionally the test device can be operated in combination with the Dräger Protector Software (version 5.0 and higher), so that the test results are documented and automatic progress control of the test intervals takes place. The test records can be printed immediately or can be requested at a later time.

Benefits

Delivery options

The testing capabilities can be extended to respiratory face masks with RP connection with the optional test head. In addition, the table mounting fixture offers secure mounting of the RZ 7000 in the workshop. To keep the device ready to use when on the road, a car charger offers power supply on the way.

Longer calibration interval

The device has a 24 month guarantee. The 24 month* calibration minimizes maintenance effort of the Dräger RZ 7000.

*Subject to national regulations.

Accessories



Test kit

With all adapters required for testing the Dräger PSS® BG 4 plus

R 33 777

Accessories



D-6650-2010_S_USB

USB Cable

Connects the test device to a PC

83 18 469



ST-115-2004

Car charger

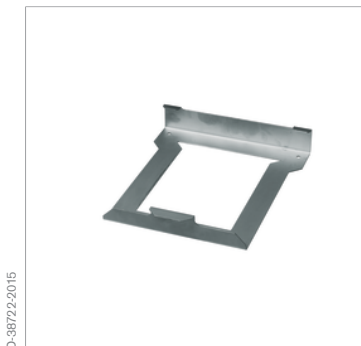
83 20 252



D-43192-2012-R50572

Test head

R50572



D-38722-2015

Table mounting fixture

R62561

Accessories



Dräger Protector Software

83 21 598

Services



Dräger Service

With Dräger's service solutions, you get complete peace of mind and budget security knowing that your safety equipment is supported by the same team of experts that engineered it and is backed by over 125 years of experience. You can rely on Dräger to keep the devices you depend on operating at peak performance and to always put the safety of your team first. That's the Dräger Service Advantage.

Related Products

D-31452-2011



Dräger PSS® BG 4 plus

Specially designed for demanding tasks, The Dräger PSS® BG4 plus closed-circuit breathing apparatus combines uncompromising safety with outstanding respiratory protection and wearer comfort. Innovative in design, it provides the wearer with up to four hours of breathing air in toxic environments.

D-28800-2015



Dräger FPS® 7000 RP

The Dräger FPS 7000 with an RP connection is the perfect complement to the Dräger PSS BG 4 closed circuit breathing apparatus. Because the FPS 7000 RP with hydration provides a source of relief, it is the ideal choice for long-duration missions such as tunnel and subway fires.

ST-465-2000



Dräger Panorama Nova®

The Panorama Nova® full face mask has been successful in the market worldwide for decades and provides reliable and secure protection. In combination with a compressed air breathing apparatus or re-breather, it is used as a tried and tested face piece by firefighters and in mining.

Technical Data

Measurement range for pressure	30 mbar to -30 mbar
Measurement precision	±1% of end value
Measurement range for volume flow	0,5 L/min to 4 L/min
Measurement precision	5% of measurement precision
Internal test volume	500 ml
Supply voltage	100 – 240 V (50 – 60 Hz)
Car charger	12 V
Battery	Lithium ion
Degree of protection	IP54 (with locked lid)
Weight	8.3 kg / 18.3 lbs (incl. power supply unit w/o IFU)
Dimensions	W x H x D: 470 x 357 x 176 mm / 1ft 7in x 1ft 2in x 0ft 7in
Scope of supply	Power supply unit, instruction for us

Ordering Information

Ordering information	Order No.
Dräger RZ 7000	R62500
Accessories for testing	
Adapter for testing face masks and individual components	R62599
Adapter for sealing face mask	R53345
USB cable	83 18 469
Car charger cable	83 20 252
Test head	R50572
Bench mounting fixture	R62561
Dräger Protector Software	83 21 598
PSS® BG 4 plus test-kit	R33777

Notes

Not all products, features, or services are for sale in all countries.
Mentioned Trademarks are only registered in certain countries and not necessarily in the country in which this material is released. Go to www.draeger.com/trademarks to find the current status.

CORPORATE HEADQUARTERS

Drägerwerk AG & Co. KGaA
Moislinger Allee 53–55
23558 Lübeck, Germany
www.draeger.com

Customer Service:

USA
+1 800-4DRAGER
(+1 800-437-2437)

CANADA

+1 877-DRAGER1
(+1 877-372-4371)

Technical Service:

USA
+1 800-4DRAGER
(+1 800-437-2437)

Locate your Regional
Sales Representative at:
www.draeger.com/contact

